

# Hydraulic Vapor Recovery Compressor HVR75-1022

## Specifications & Performance

HVR75 - 1022

TECHNICAL SPECIFICATIONS



COMPRESSOR		
Type	Hydraulic drive low speed reciprocating compressor	
Capacity Control	Automatic by PLC, 100% turndown	
Wiring	Class 1 Division 2 Hazardous Location	
Piping	SA-106B Threaded Spools	
Compression Cylinder	<b>2 x 1022 Cylinders</b>	
Max Discharge Pressure	1100 psi std / 1500 optional	7584 kPa / 10342 optional
Max ΔP	225 psi	1550 kPa
Max Design Discharge Temperature	400°F	204°C
Max Geometric Displacement	154 mcf/d	4360 m <sup>3</sup> /day
Max Continuous Liquid Flow: 2-Phase Operation	274 bbl/d	44 m <sup>3</sup> /day

HYDRAULIC POWER PACK	
Driver	100 hp 3 phase TEFC electric motor
Pump	98.3 cc Double vane pump
Hydraulic Oil Filter	7 Micron
Oil Capacity	90 gal / 340 L
Cooling	Electric fan, bar and plate type cooler
Oil Temperature Control	Automatic warm-up, air intake louver, cold-start protection
Wiring	General Purpose (remote from compressor) Class 1, Division 2 (if no power pack enclosure option)

CONTROLS AND INSTRUMENTATION	
System Control	PLC with data logging
Readout	Multifunction LCD Display
SkyView Remote Monitoring	Cellular callout for operating conditions, alarms, shutdowns

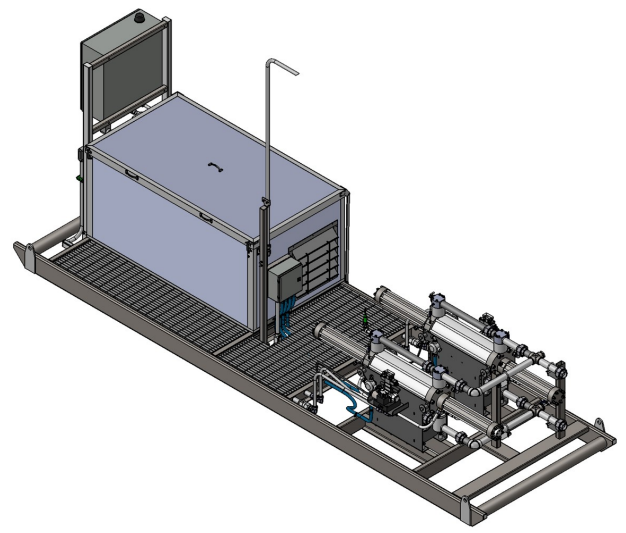
WEIGHTS AND DIMENSIONS		
Weight	7200 lbs	3266 kg
Dimensions (L x W x H)	236" x 68" x 66"	599 cm x 147 cm x 142 cm
Inlet Connector	3" #150 Flange	
Discharge Connector	2" #150 Flange (Optional #300 Flange)	

ALARMS AND SHUTDOWNS		
	Alarm	Shutdown
Suction Pressure Low	✓	
Discharge Pressure High	✓	
Differential Pressure High	✓	
Discharge Temperature High	✓	
Hydraulic Oil Temperature Low	✓	
Hydraulic Oil Temperature High	✓	✓
Hydraulic Oil Leak	✓	✓
Hydraulic Oil Usage	✓	✓
Hydraulic Oil Level Low	✓	✓
Hydraulic Oil Filter High ΔP	✓	
Motor Overload		✓
ESD		✓

#8, 1820-30th Avenue NE  
 Calgary, AB T2E 7M5  
 Phone: (403) 219-3026  
 Fax: (403) 717-1759  
[sales@compactcompression.com](mailto:sales@compactcompression.com)  
<https://www.compactcompression.com>

## Key Features

- ☑ Dual compression cylinders for maximum capacity
- ☑ Mono-skid design to optimize footprint and mobility
- ☑ Processes liquids in the compressor
- ☑ No operator setup or adjustment required
- ☑ Minimum moving parts for low maintenance
- ☑ Self-start / auto restart after power outage
- ☑ SkyView cellular call system for instant notification
- ☑ Best-in-class reliability (>99.7% uptime)



**HVR75-1022 (98.3cc Hydraulic Pump) Performance**

		Discharge Pressure (Max ΔP 225 psi)							
		25	50	75	100	125	150	175	200
		KPa							
Suction Pressure	0	167	156	145	135	125	116	107	98
	0	4.7	4.4	4.1	3.8	3.5	3.3	3.0	2.8
	5	230	218	207	196	186	176	167	157
	34	6.5	6.2	5.9	5.6	5.3	5.0	4.7	4.4
	10	294	281	269	258	248	238	228	218
	69	8.3	8.0	7.6	7.3	7.0	6.7	6.5	6.2
	15	357	344	332	321	310	299	289	279
	103	10.1	9.7	9.4	9.1	8.8	8.5	8.2	7.9
	20	421	408	395	383	372	361	350	340
	138	11.9	11.6	11.2	10.8	10.5	10.2	9.9	9.6
	25		471	458	446	434	423	412	401
	172		13.3	13.0	12.6	12.3	12.0	11.7	11.4
	30		535	521	509	497	485	474	463
	207		15.1	14.8	14.4	14.1	13.7	13.4	13.1
	35		598	585	572	560	548	536	525
	241		16.9	16.6	16.2	15.9	15.5	15.2	14.9
40		662	648	635	622	610	599	587	
276		18.7	18.3	18.0	17.6	17.3	17.0	16.6	
45		726	712	698	685	673	661	649	
310		20.6	20.2	19.8	19.4	19.1	18.7	18.4	
50			776	762	749	736	724	712	
345			22.0	21.6	21.2	20.8	20.5	20.2	

Flow rates based on 100% gas fillage. Liquid volumes reduce gas throughput as a % of swept volume.

Flow rates in mscf/d (e<sup>3</sup>m<sup>3</sup>/day). 15% correction factor applied to flow rates.

**\*Our team will be pleased to assist you with ideal HVR sizing and configuration for your operation.**



#8, 1820-30th Avenue NE  
 Calgary, AB T2E 7M5  
 Phone: (403) 219-3026  
 Fax: (403) 717-1759  
[sales@compactcompression.com](mailto:sales@compactcompression.com)  
<https://www.compactcompression.com>